

# Assembly Page 2

Fin-Tac LLC

www.fin-tac.com

e-mail:  
sales@fin-tac.com

ph:  
516.795.3405

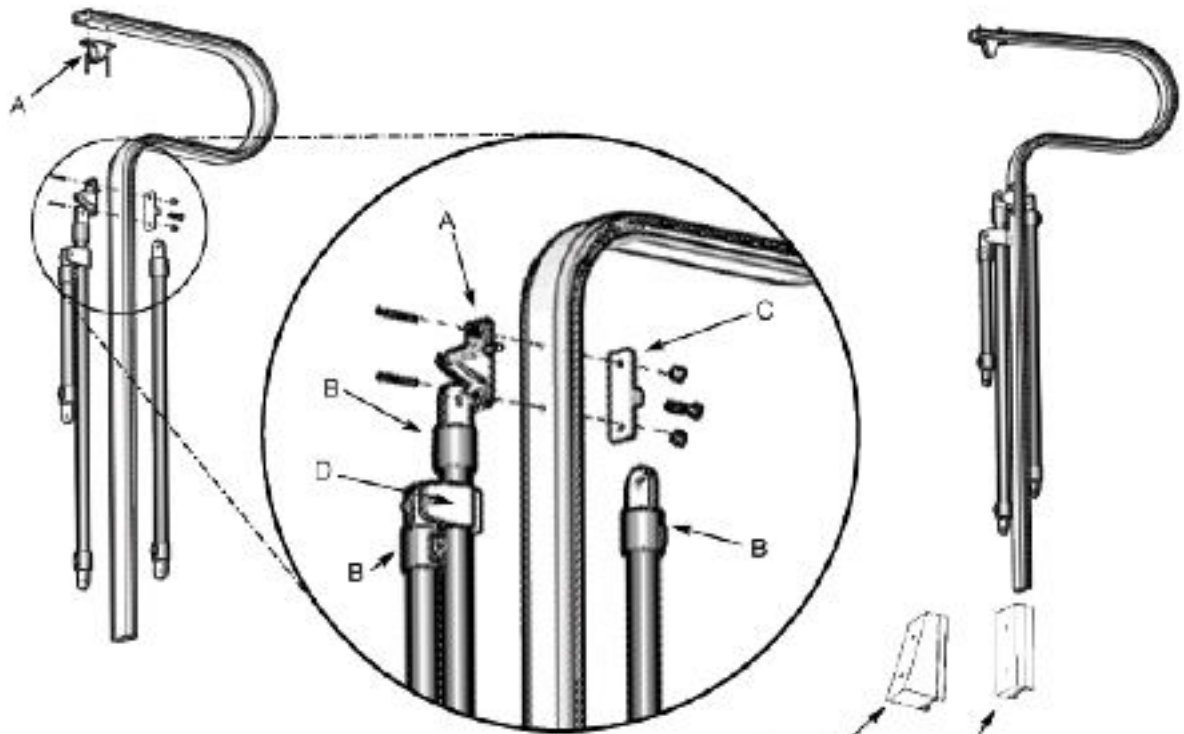
190 East Shore Drive  
Massapequa, NY 11758

[Home](#)  
[Fin-Tac Info](#)  
[Photo Gallery](#)  
[Fin-Tac Install](#)  
[Order Now!](#)  
[Need More Info?](#)

Fin-Tac™ is a patented, multipurpose utility station for your boat with an adjustable mount.

It measures 42"w x 24"d x 9"h and provides over 9 sq.ft. of work and storage space.

US Patent #6,101,966



- Key:**
- A- Deck Hinge
  - B- Eye End
  - C- Eye Strap
  - D- Jaw Slide
  - E- Small White Thumb Latch
  - F- Side Mount
  - G- Large Black Thumb Latch
  - H- Leader Material

